

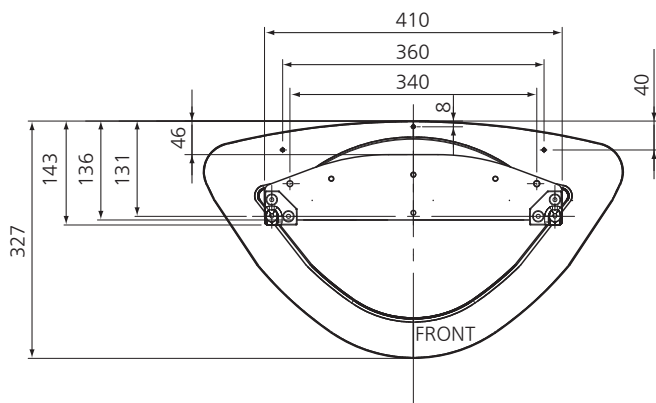
Product specification (design and specification subject to change without notice)

Dimensions (W x H x D)	578 x 183 x 327 mm
Weight	7 kg
Carton Dimensions (W x H x D)	704 x 167 x 430 mm
Gross weight	9 kg
Accessories	- Stand pole installation screw (4) - Unit installation screw (4) - Clamper (1) Overturn-prevention parts - Overturn-prevention belt (2) - Screw (2) - Wood screw (2)

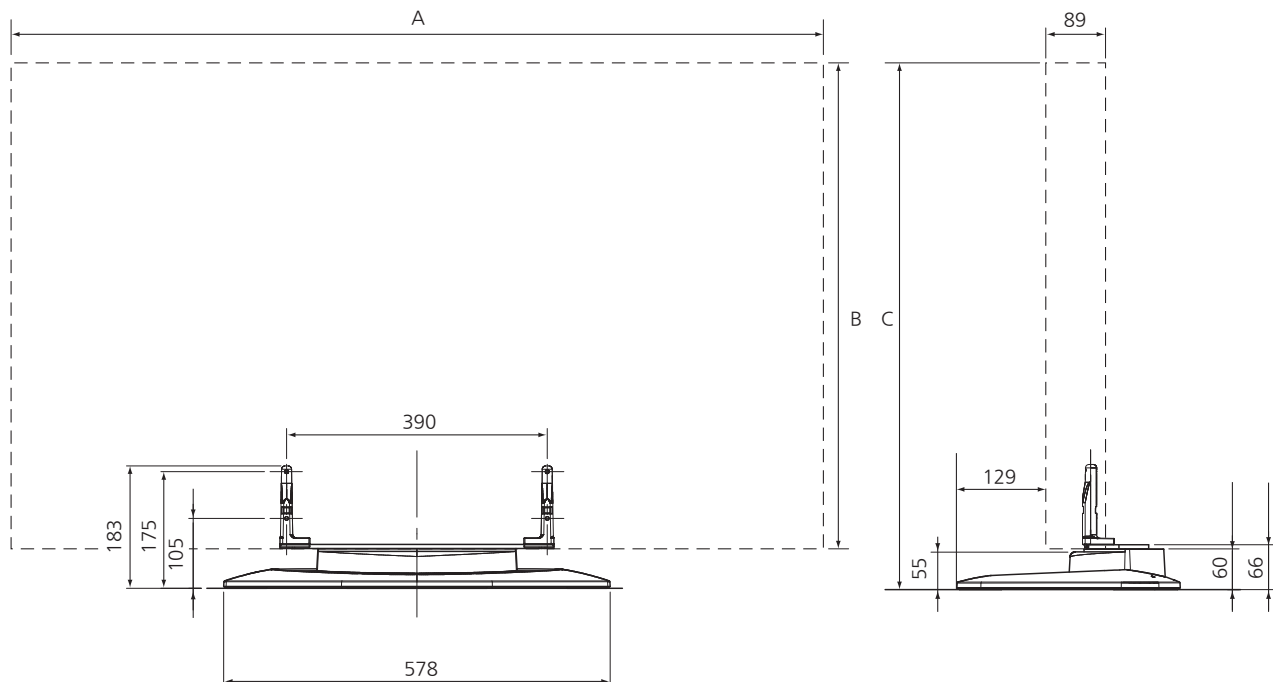
DIMENSIONS

Cautions: This drawing is not a scale

Units : mm



	42"	50"
A	1021	1210
B	610	724
C	669	783



* Applicable for 20 series and future models.