

Floor stand

TY-ST85PF12

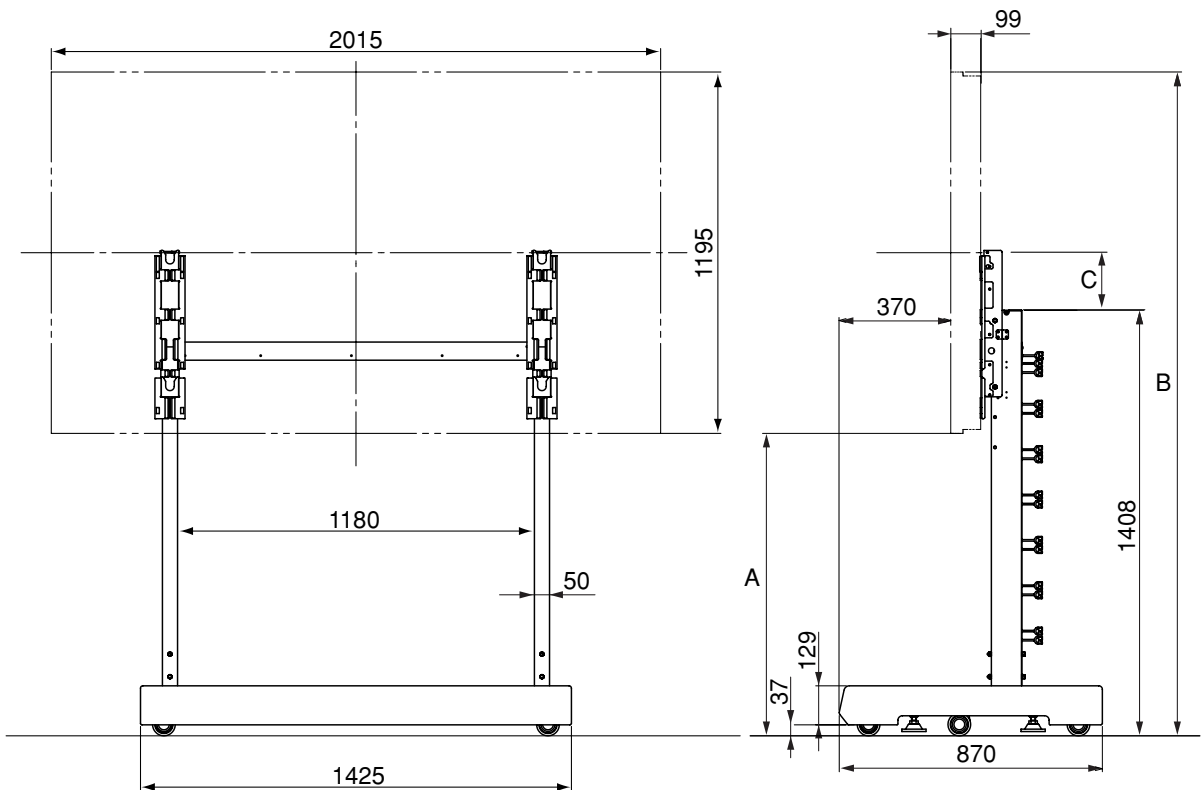
Product summary

- This product is the exclusive floor stand for 85-inch Plasma display.
- This product can be adjusted 3-degree height.

Product specification (design and specification subject to change without notice)

Dimensions (W x H x D)	1425 x 1408~1605 x 870 mm
Weight	approx. 82.0 kg
Dimensions	

Cautions: This drawing is not a scale
Units : mm



A	B	C
800	1995	-10
900	2095	90
1000	2195	190