

Panasonic

Wall-hanging bracket for Plasma Display (Adjustable angle type)

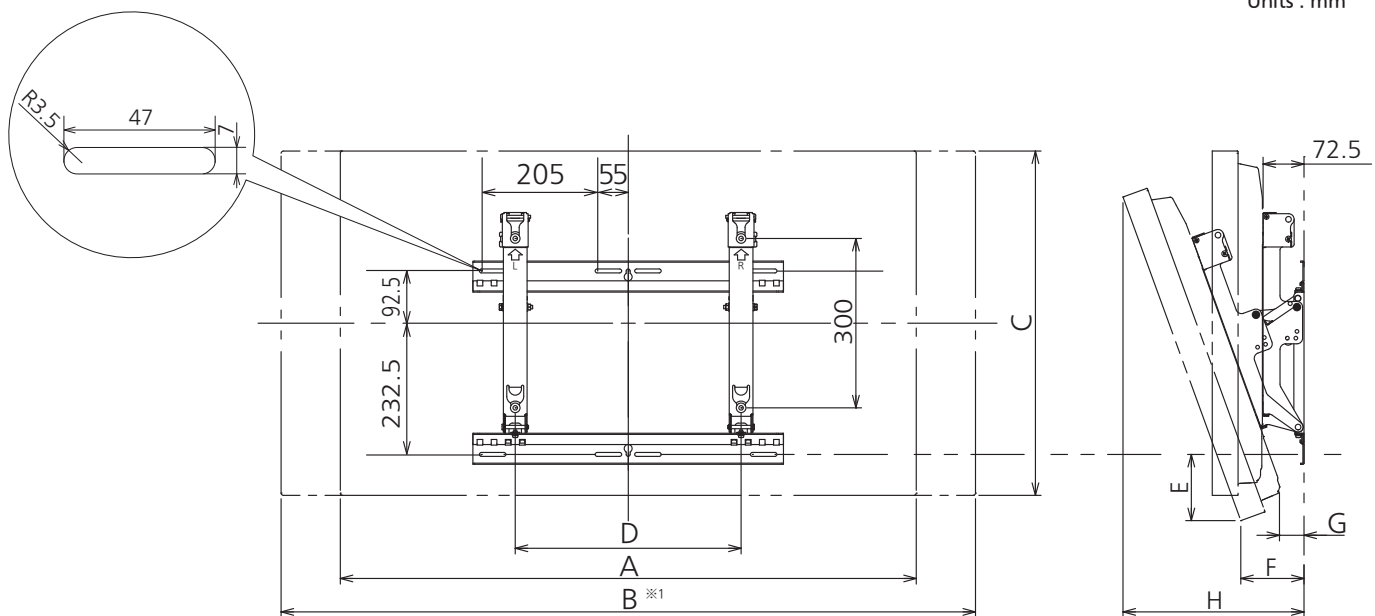
TY-WK42PR20

Product specification (design and specification subject to change without notice)

Dimensions (W x H x D)	550 x 446 x 72.5 mm
Weight	approx. 3.2 kg
Carton Dimensions (W x H x D)	602 x 104 x 161 mm
Gross weight	approx. 5 kg
Accessories	- Allen head countersunk screw (4) - Dished toothed washer (4) - Insulation spacer (4) - Screw for securing unit (2) - Allen wrench (included tool) (1)

DIMENSIONS

Cautions: This drawing is not a scale
Units : mm



*1 With speakers

Model	Demension	Attachment angle				
		0°	5°	10°	15°	20°
42"	A	1020				
	B *1	1230				
	C	610				
	D	400				
	E	73	86	97	108	118
	F	163	152	140	126	112
	G	73	68	61	52	43
	H	163	204	244	282	318

Model	Demension	Attachment angle				
		0°	5°	10°	15°	20°
50"	A	1210				
	B *1	1427				
	C	724				
	D	400				
	E	130	142	154	163	171
	F	163	147	130	112	93
	G	73	61	49	37	23
	H	163	209	254	297	338

* Applicable for 20 series and future models.