

Wall-hanging bracket for Plasma Display

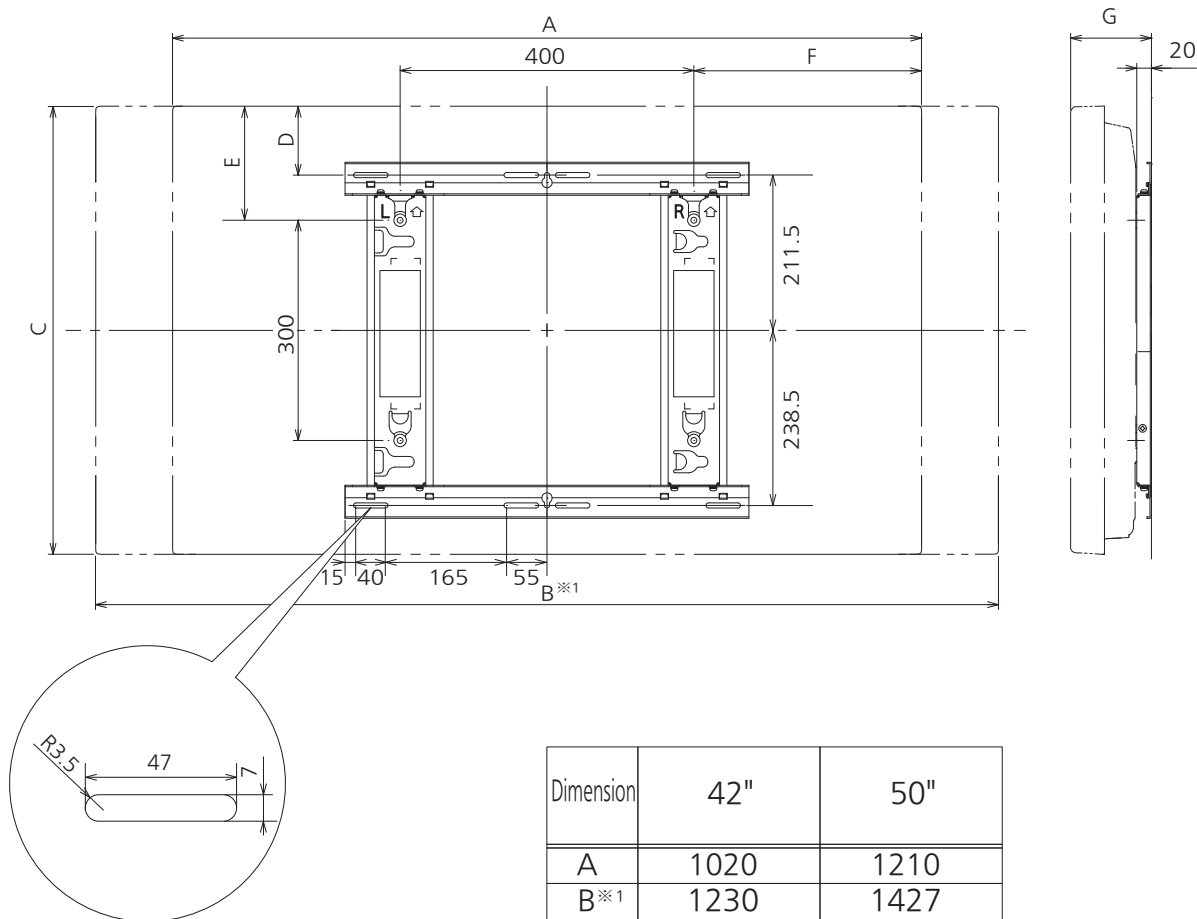
TY-WK42PV20

Product specification (design and specification subject to change without notice)

Dimensions (WxHxD)	550 x 485 x 20 mm
Weight	approx. 2.3 kg
Carton Dimensions (WxHxD)	602 x 95 x 126 mm
Gross weight	approx. 4 kg
Accessories	- Allen head countersunk screw (4) - Dished toothed washer (4) - Insulation spacer (4) - Screw for securing unit (long) (1) - Screw for securing unit (short) (1) - Allen wrench (included tool) (1)

DIMENSIONS

Cautions: This drawing is not a scale
Units : mm



※With speakers

* Applicable for 20 series and future models.

DIMENSIONS (Vertical)

Cautions: This drawing is not a scale
Units : mm

