

**Description**

This bracket assembly is used when mounting a Panasonic's applicable projector to ceilings.

**NOTE:** This ceiling mount bracket cannot be used by itself. Combine it with the optional ceiling mount bracket.

<b>Specifications</b>	Dimensions (W × H × D):	410 × 56 × 314 mm (16-5/32 × 2-7/32 × 12-3/8 inches)
	Weight:	Approx. 2.2 kg* (4.85 lbs*)
	Applicable ceiling mount bracket:	ET-PKD120H/PKD120S
	Applicable projector	PT-EZ770 series: PT-EZ770Z/EZ770ZL/EW730Z/EW730ZL/ EX800Z/EX800ZL PT-EZ580 series: PT-EZ580/EZ580L/EW640/EW640L/EX610/ EX610L/EW540/EW540L/EX510/EX510L

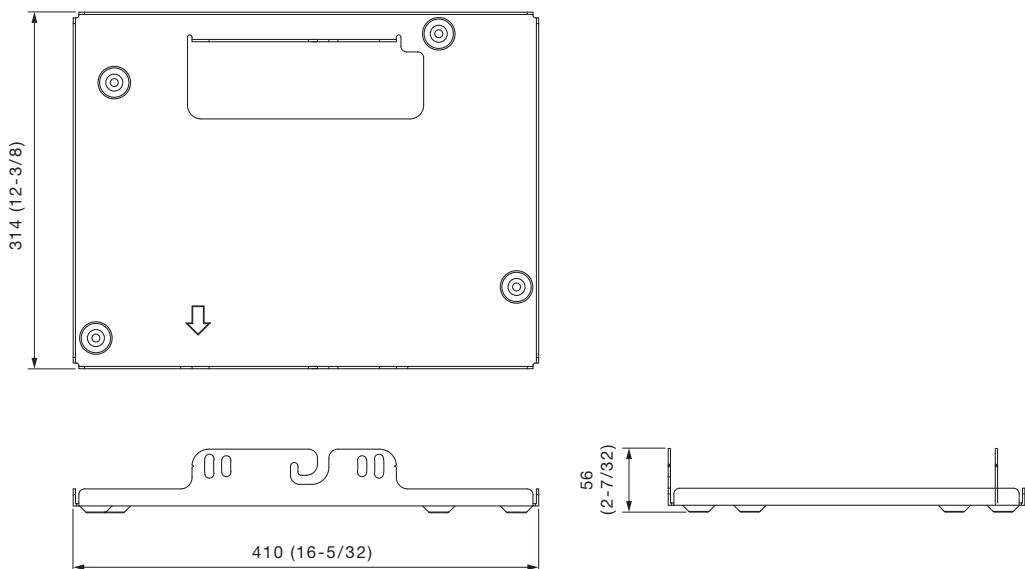
\* Average value. May differ depending on models.

<b>Parts</b>	Projector mount bracket (bracket assembly) . . . . .	1	Washers . . . . .	2
	Washer-fitted hexagonal bolts (M6 × 16) . . . . .	4	Fixer plates . . . . .	2
	Washer-fitted screws (M6 × 20) . . . . .	1	Safety wire . . . . .	1

**Caution:**

- Mounting should be done by a qualified technician.
- Make sure that the mounting (ceiling) area has sufficient strength.
- Read the enclosed mounting instructions thoroughly before starting.
- Do not use an electric screwdriver or impact driver to tighten screws. Use a torque driver or hexagon torque wrench and tighten screws to the torque specified in the instructions.
- When the product is no longer going to be used, have it disposed of quickly by a professional disposal service.

**Dimensions**



unit : mm (inch)  
NOTE: This illustration is not drawn to scale.

Weights and dimensions shown are approximate. Specifications and appearance are subject to change without notice.