

Ecospringroll

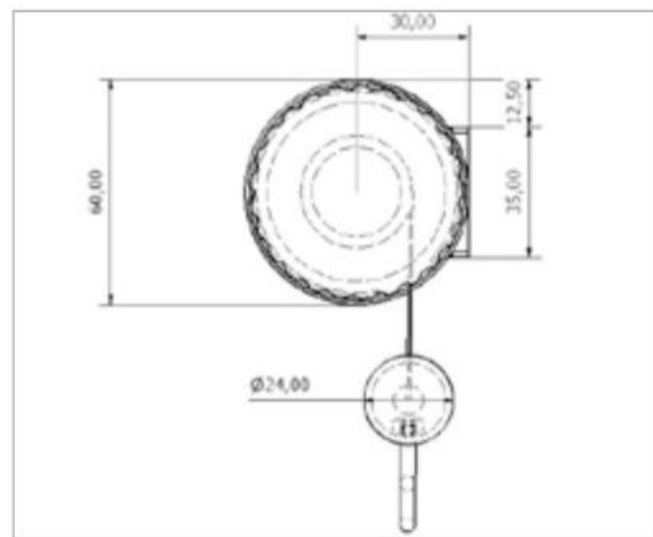
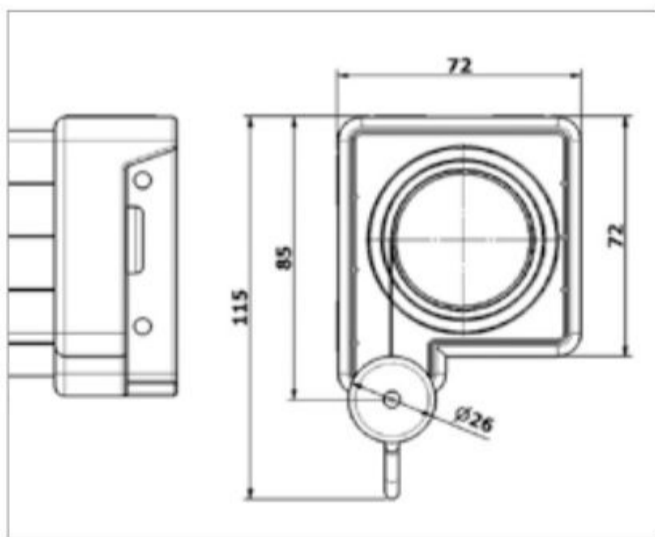
The affordable spring screen.

Wide range of sizes for a practical screen with a competitive price.

It features aluminium box and PVC fabric with engraving on the surface and M1 certification. It is easily mounted to a ceiling or wall using four screws.

Stop buffers adjustable every 13 cm when opening the screen for models 200 and 240 only.

Technical details




Screen characteristics

- iron round - shaped box painted in glossy black (155 and 180 cm only). This model needs a nail or a screw to be fixed on the wall in its lowest position. Manual adjustment of the fabric tensioning.
- aluminium squared - shaped box in natural ALU colour (200 and 240 cm only). This model is provided with a vertical movement block (every 13 cm).

Available Fabrics

- White Ice (Mod. 200, 240)
- Home Vision (Mod.155, 180)

Available sizes chart

				Type
Mod	B x H (cm)	L (cm)	kg	Box
155	155 x 155	162	6	
180	180 x 180	187	7	
200	200 x 200	207	8	
240	240 x 200	247	10	