

Ecotripod

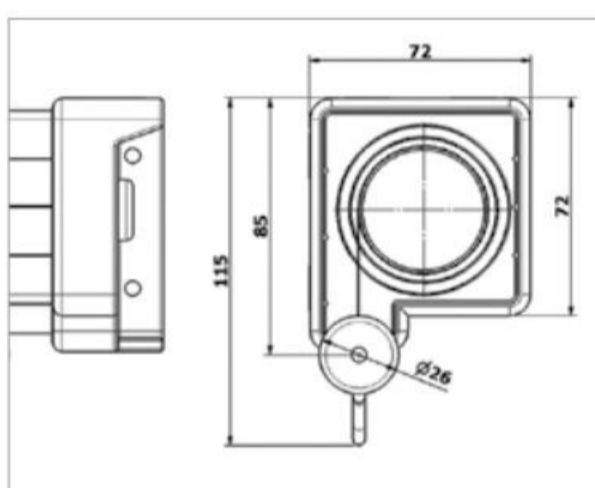
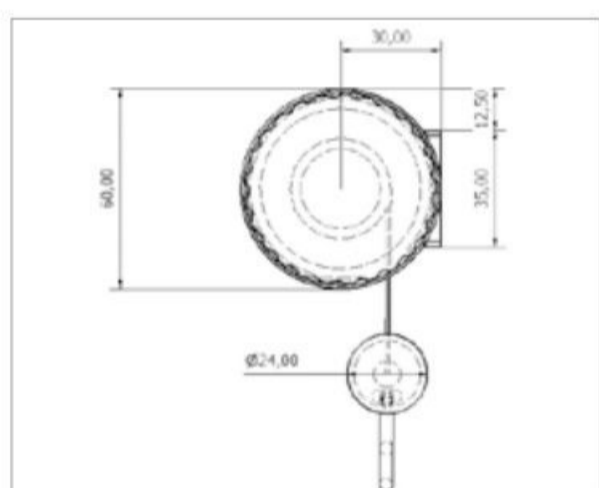
Easy to use.

Easy to use, Ecotripod completes ScreenLine's range of portable screens.

The fact that it is easy to carry and small in dimension makes this screen a very successful one.

Thanks to its affordable price, this screen is particularly suitable for the viewing of slides or amateur films.

Technical details



Screen characteristics

- iron round - shaped box painted in glossy black (155 and 180 cm only). Manual adjustment of the fabric tensioning
- aluminium squared - shaped box in natural ALU colour (200 and 240 cm only).
- Tripod stand ready for use provided with a comfortable handle

Available Fabrics

- White Ice (Mod. 200, 240)
- Home Vision (Mod.155, 180)



Reference page 6-7

Available sizes chart

				Type
Mod	B x H (cm)	L (cm)	kg	Box
155	155 x 155	162	6	
180	180 x 180	187	7	
200	200 x 200	207	8	
240	240 x 200	247	10	

Also available with black borders and back (only 4:3)