



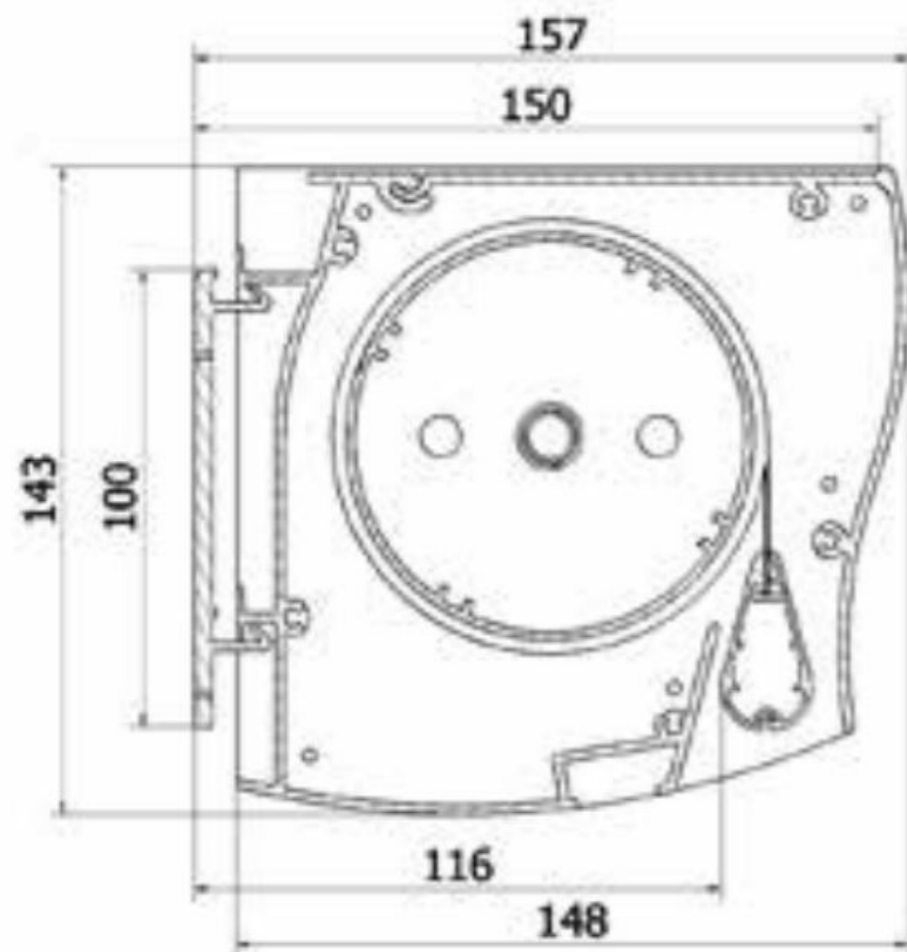
- 16:9
- 16:10
- 4:3

Wave

Motorized screen with an elegant, harmonious design, Wave becomes part of the furniture. The shape of the box makes it easy to install it perfectly aligned to walls and corners. The top becomes a shelf for the audio equipment and the back features a groove to conceal the cables.

The fabric rolls down smoothly and perfectly flat, allowing the installation of a tv set or of pictures behind it since it is 11 cm away from the wall.

- prearranged groove for audio cables



SCREEN CHARACTERISTICS

- 90° rear angle for better ceiling installation
- hidden fixing brackets
- supporting surface for L-C-R loudspeakers
- RGB LED back lighting compatible with all home automation control systems (on request)
- front fall in order to improve flatness
- motor on the right side provided with automatic up end limit
- custom features
- particularly silent motor available on request up to a base of 300 cm.

SURFACE OPTIONS

- White Ice
- Home Vision
- Microperforated
- Grey High Contrast
- Coral rear-projection